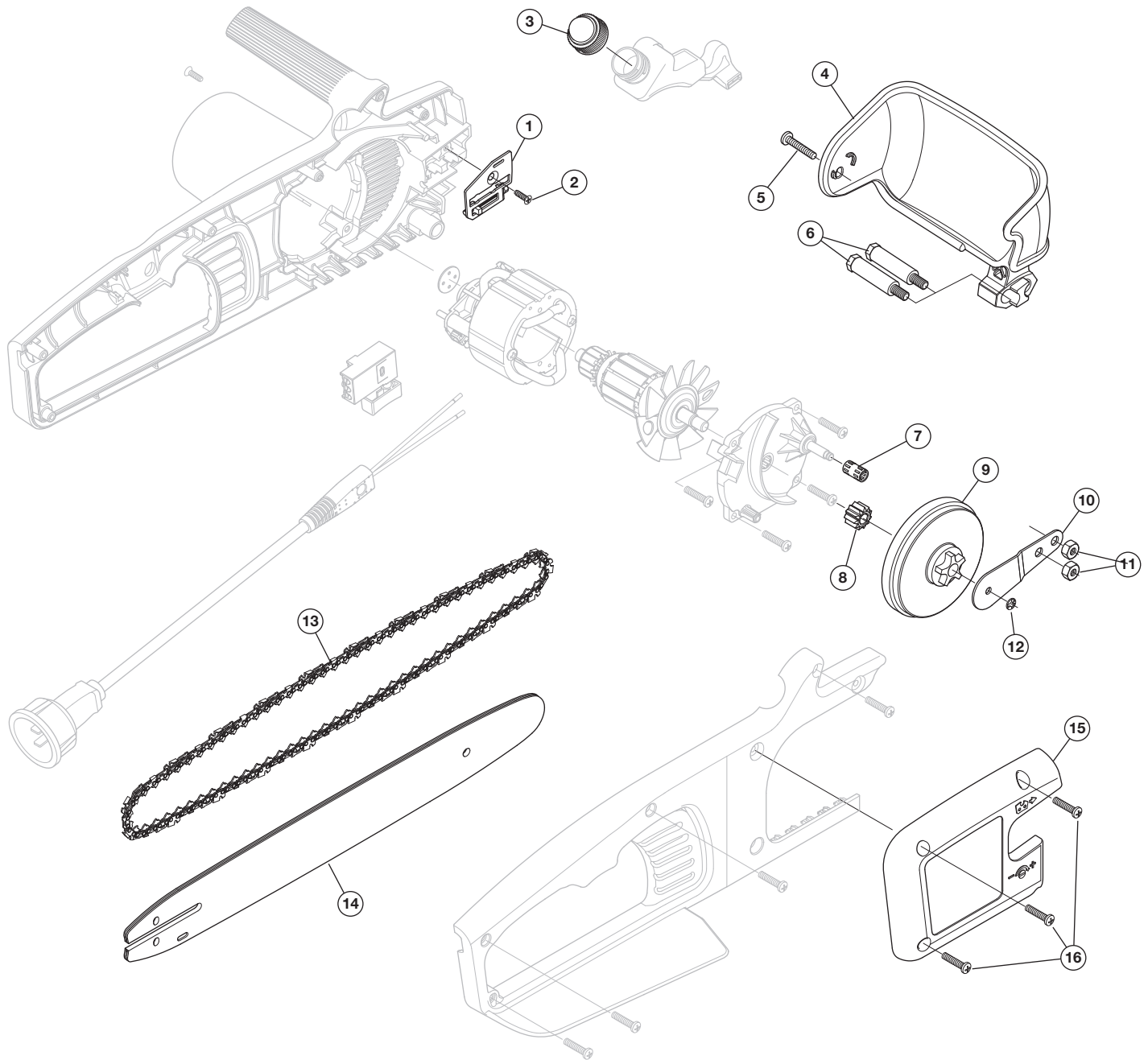


REPLACEMENT PARTS - MODEL RM1025P ELECTRIC POLE SAW

PPN 41AZ32PG983



Item	Part No.	Description
1	841-070012	Adjusting Plate Assembly
2	710-05043	Screw
3	631-04381	Bulb Cap Assembly
4	731-10398	Front Guard
5	710-05040	Screw
6	710-05023	Shoulder Bolt
7	741-04438	Sprocket Roller Bearing
8	717-04747	Drive Gear

Item	Part No.	Description
9	717-04749	Sprocket Gear
10	797-00094	Sprocket Support
11	712-04232	Nut
12	716-04153	Ring
13	713-04088	Chain 10"
14	795-00112	Chain Guide Bar
15	731-10399	Sprocket Cover
16	710-05036	Screw

