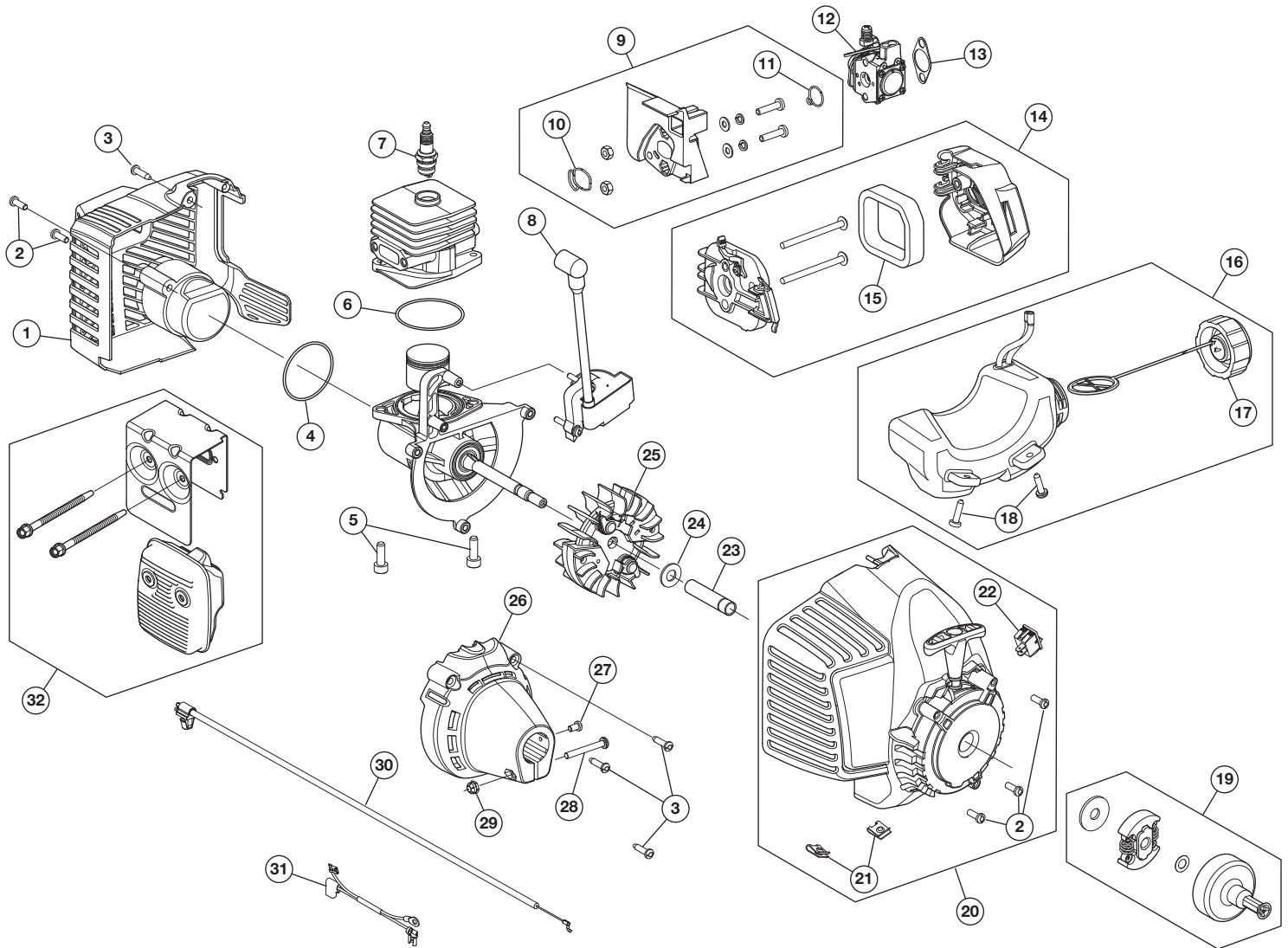


# REPLACEMENT PARTS - MODEL RM2510

## 2-CYCLE TRIMMER

PPN 41CD110G983



Item	Part No.	Description
1	753-06919	Rear Cover Assembly (includes 2 & 3)
2	791-181862	Housing Screw
3	791-181345	Cover Screw
4	753-06174	O-Ring
5	791-182723	Crankcase Bolt
6	753-06275	Crankcase O-Ring
7	753-06847	Spark Plug
8	753-06420	Module Assembly
9	753-06189	Insulator Assembly (includes 10 & 11)
10	753-06184	Insulator O-Ring
11	753-06185	Carburetor O-Ring
12	753-06190	Carburetor
13	753-06253	Air Cleaner Gasket
14	753-06415	Aircleaner Cover Assembly (includes 15)
15	753-06417	Aircleaner Filter
16	753-06183	Fuel Tank Assembly (includes 17 & 18)
17	791-182612	Fuel Tank Cap
18	9206A	Fuel Tank Screw

Item	Part No.	Description
19	753-05860	Starter Clutch Assembly
20	753-08547	Starter Housing (includes 2, 21 & 22)
21	791-182366	U-shaped Nut
22	791-182405	Switch Assembly
23	753-06218	Spacer
24	753-06247	Washer
25	753-06175	Flywheel Assembly
26	753-06181	Clutch Cover (includes 3)
27	791-182519	Anti-rotation Screw
28	9689A	Clamp Screw
29	712-0161	Clamp Nut
30	746-05231	Throttle Cable
31	794-00127	Lead Wires
32	753-06418	Muffler Assembly

\* Items Not Shown

\* 753-08347 Short Block Assembly (includes Crankcase, Cylinder, Piston, 4 - 8 & 23 - 25)

# REPLACEMENT PARTS - MODEL RM2510 2-CYCLE TRIMMER

PPN 41CD110G983

Item	Part No.	Description
1	753-08543	Throttle Housing Assembly (includes 2 & 3)
2	791-182690	Throttle Trigger Spring
3	753-06791	Throttle Trigger
4	753-06217	Upper Shaft Housing Assembly
5	753-08042	D-Handle (includes 6)
6	753-06040	D-Handle Bolt
7	753-08544	Lower Shaft Housing Assembly
8	753-04282	Shield Mounting Hardware
9	753-06200	Shield Assembly (includes 10)
10	753-06803	Blade Assembly
11	753-04284	Outer Spool Assembly (includes 12)
12	791-610660	Retainer
13	791-610317B	Spring
14	753-1155	Inner Reel
15	791-153066B	Bump Head Knob Assembly

\* Items Not Shown

\* 753-1156 Reel & Line Assembly

