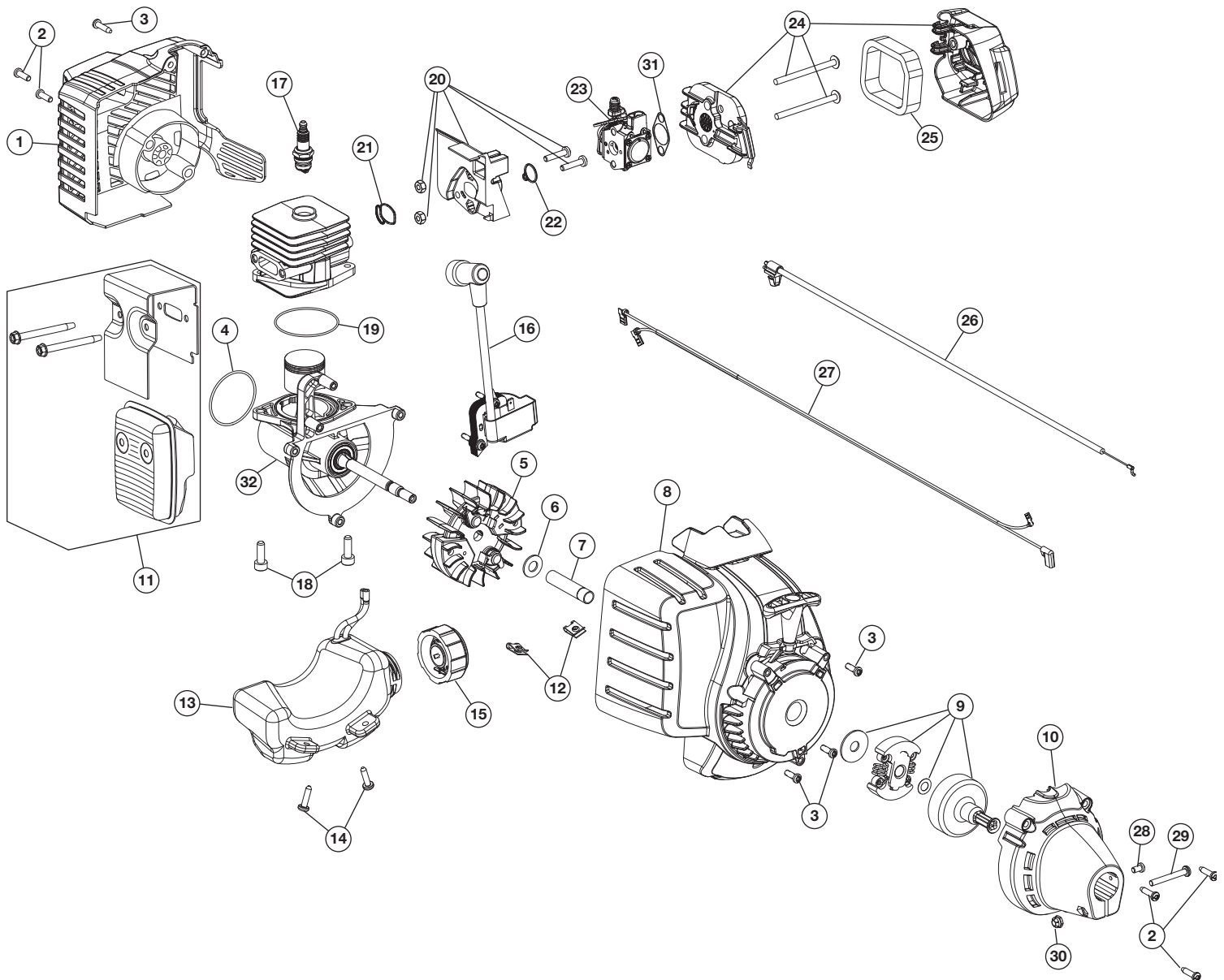


# REPLACEMENT PARTS - MODEL RM2599

## 2-CYCLE POLE SAW

PPN 41BDPS1C983



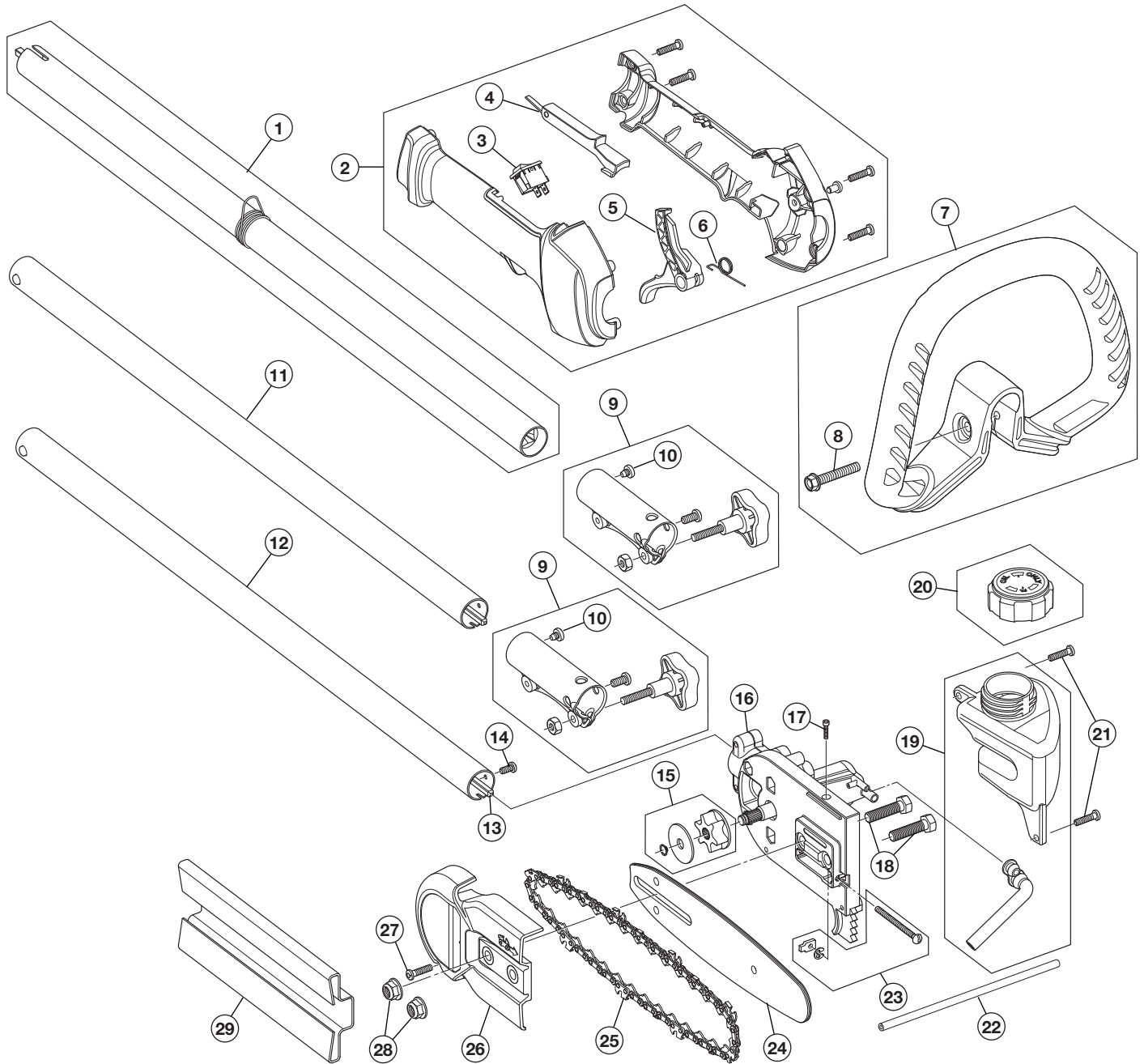
| Item | Part No.   | Description                           |
|------|------------|---------------------------------------|
| 1    | 753-06194  | Rear Cover Assembly (includes 2 & 3)  |
| 2    | 791-181862 | Housing Screw                         |
| 3    | 791-181345 | Cover Screw                           |
| 4    | 753-06174  | O-Ring                                |
| 5    | 753-06175  | Flywheel Assembly                     |
| 6    | 753-06247  | Washer                                |
| 7    | 753-06218  | Spacer                                |
| 8    | 753-06943  | Starter Housing (includes 3 & 12)     |
| 9    | 753-05860  | Clutch Assembly                       |
| 10   | 753-06181  | Clutch Cover (includes 2)             |
| 11   | 753-06418  | Muffler Assembly                      |
| 12   | 791-182366 | U-shaped Nut                          |
| 13   | 753-06921  | Fuel Tank Assembly (includes 14 & 15) |
| 14   | 791-181930 | Tank Screw                            |
| 15   | 791-182612 | Fuel Cap                              |
| 16   | 753-06826  | Module Assembly                       |

| Item | Part No.   | Description                                     |
|------|------------|---|
| 17   | 753-06847  | Spark Plug                                      |
| 18   | 791-182723 | Crankcase Bolt                                  |
| 19   | 753-06275  | Crankcase O-Ring                                |
| 20   | 753-06189  | Insulator Assembly (includes 21 & 22)           |
| 21   | 753-06184  | Insulator O-Ring                                |
| 22   | 753-06185  | Carburetor O-Ring                               |
| 23   | 753-06190  | Carburetor                                      |
| 24   | 753-06415  | Aircleaner Cover Assembly (includes 25)         |
| 25   | 753-06417  | Aircleaner Filter                               |
| 26   | 753-06188  | Throttle Cable                                  |
| 27   | 753-06187  | Lead Wires                                      |
| 28   | 791-182519 | Anti-rotation Screw                             |
| 29   | 753-04003  | Clamp Screw                                     |
| 30   | 791-180217 | Clamp Nut                                       |
| 31   | 753-06253  | Air Cleaner Gasket                              |
| 32   | 753-08167  | Short Block Assembly (includes 4 - 7 & 16 - 19) |

# REPLACEMENT PARTS - MODEL RM2599

## 2-CYCLE POLE SAW

PPN 41BDPS1C983



| Item | Part No.   | Description                                |
|------|------------|--|
| 1    | 753-04344  | Upper Drive Shaft Housing Assembly         |
| 2    | 753-08344  | Throttle Housing Assembly (includes 3 - 6) |
| 3    | 791-182405 | Throttle Switch Assembly                   |
| 5    | 753-05171  | Throttle Trigger Lock-Out                  |
| 5    | 753-05517  | Throttle Trigger                           |
| 6    | 753-05007  | Throttle Trigger Spring                    |
| 7    | 753-06039  | D-Handle (includes 9)                      |
| 8    | 753-06040  | D-Handle Bolt                              |
| 9    | 753-06944  | Split Boom Coupler Assembly (includes 10)  |
| 10   | 791-182057 | Split Boom Coupler Screw                   |
| 11   | 753-04352  | Extension Boom                             |
| 12   | 753-05724  | Lower Drive Shaft Housing (includes 13)    |
| 13   | 791-181852 | Flexible Drive Shaft                       |
| 14   | 791-180288 | Lower Drive Shaft Screw                    |
| 15   | 753-05595  | Sprocket Assembly                          |
| 16   | 753-05599  | Gearbox Assembly (includes 15 & 17)        |

| Item | Part No.   | Description                     |
|------|------------|---------------------------------|
| 17   | 753-05589  | Gearbox Screw                   |
| 18   | 753-05596  | Gearbox Bolts                   |
| 19   | 753-05586  | Oil Tank Assembly               |
| 20   | 753-05587  | Fuel Cap Assembly               |
| 21   | 791-181345 | Oil Tank Assembly Screws        |
| 22   | 753-05588  | Oil Line                        |
| 23   | 753-05597  | Chain Tension Hardware Assembly |
| 24   | 753-05594  | Chainsaw Guide Bar              |
| 25   | 753-05592  | Chain                           |
| 26   | 753-05765  | Chain Guard                     |
| 27   | 791-181345 | Chain Guard Screw               |
| 28   | 753-05591  | Gearbox Nuts                    |
| 29   | 753-05598  | Chain Cover                     |

\* **Optional**  
 \* 791-612605 Hanger