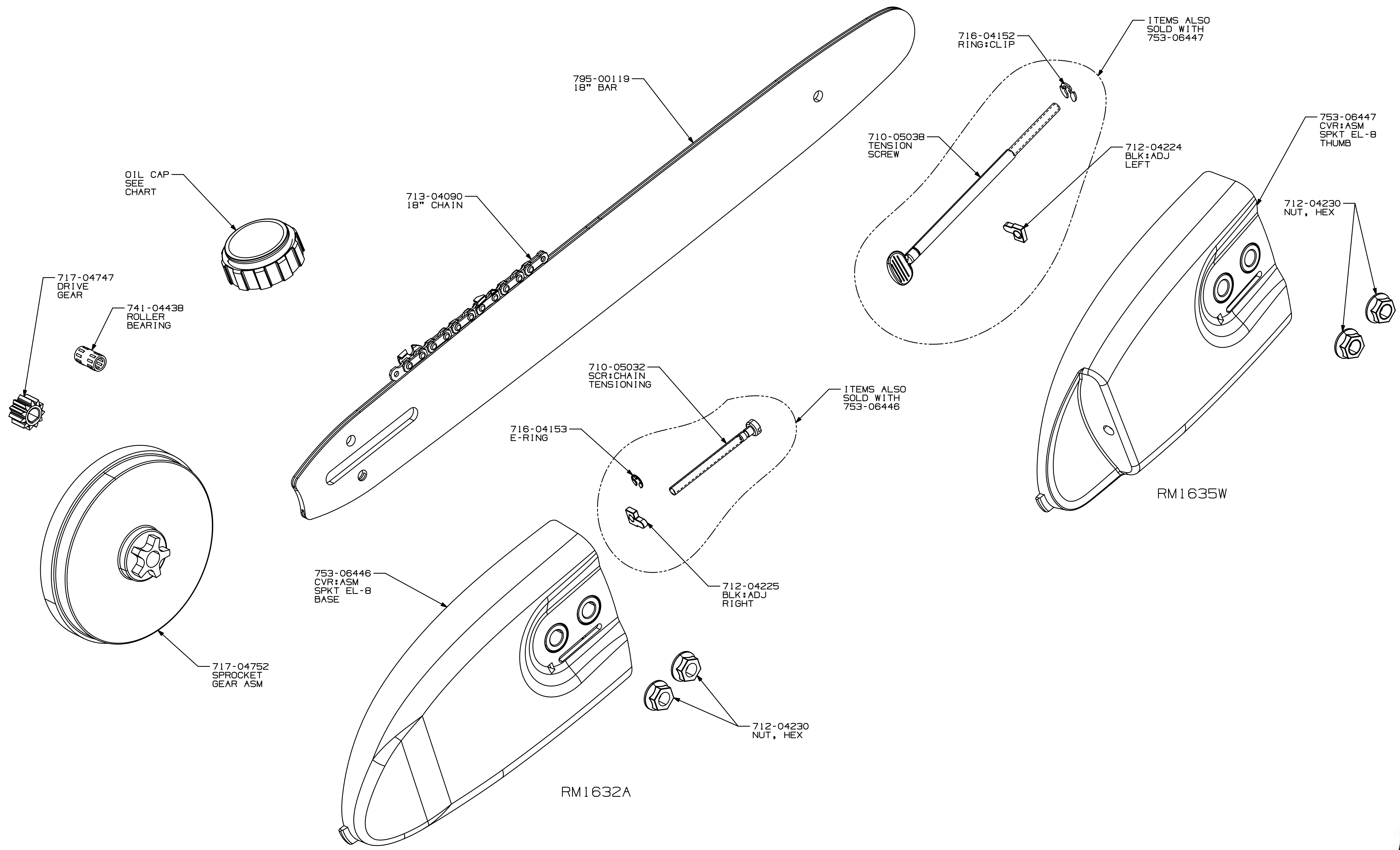


REPLACEMENT PARTS  
ELECTRIC CHAIN SAW



PART NUMBER: 769-06115  
REV: P00  
ECO# G2229

DESCRIPTION: GDE: IPL: RM1632A/U/RM1635W: 10

41A255FG983	RM1632A	631-04380	731-07260	710-05032
41A256WG983	RM1635W	731-07246	731-07261	710-05038
PPN	MODEL NO.	OIL CAP	SPRKT CVR	SCR:CHAIN TENSIONING

